

Product information sheet SUBLINE 500-U

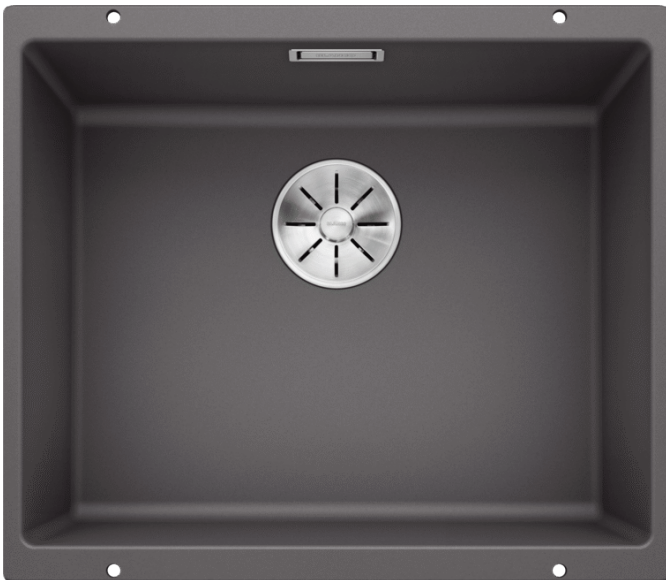
Item no. 523433

Benefits



- Undermount bowl for discerning demands on design
- Timelessly elegant, contoured bowl design
- Entire system for a wide variety of plans featuring large and small bowls
- High-quality features with covered C-overflow™ and InFino™ drain system – elegantly integrated and extremely easy-care
- Optional versatile accessories are available

Colours



Available colours:

black
anthracite
rock grey
alu metallic
pearl grey
white
jasmine
champagne
tartufo
coffee

SILGRANIT™ PuraDur™ rock grey

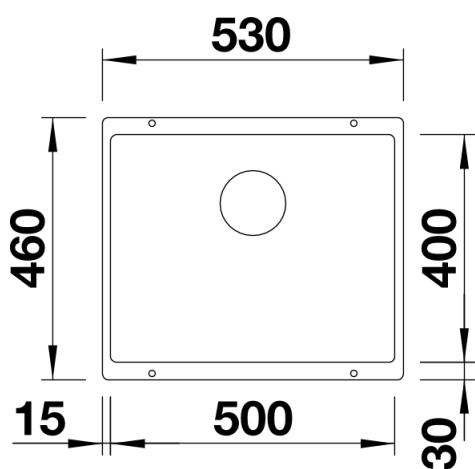
Planning information

- Cut-out radius: 10 mm
- Note:
 - the appropriate waste kit is included with delivery of individual bowls. Please order drain connections for combinations of two individual bowls separately.

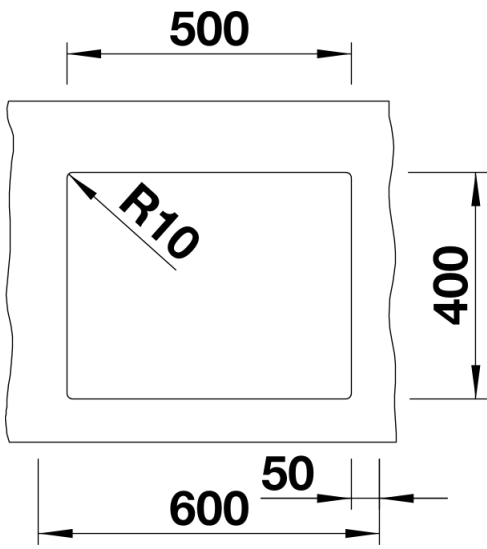
Scope of supply

- waste kit with space-saving pipe, 3 1/2" InFino™ basket strainer, fixing kit

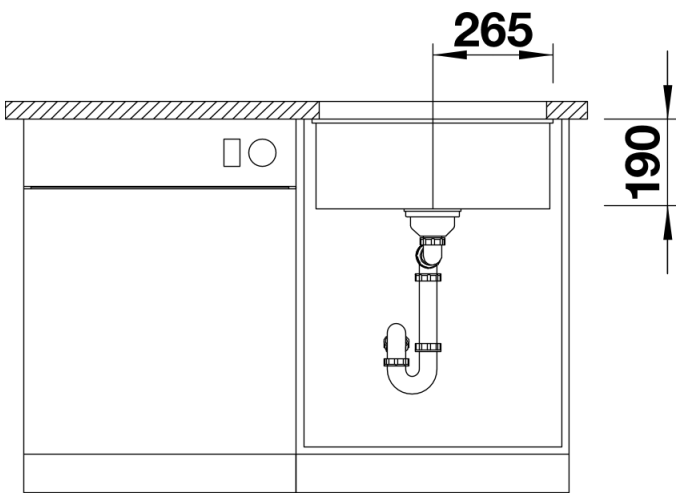
Details



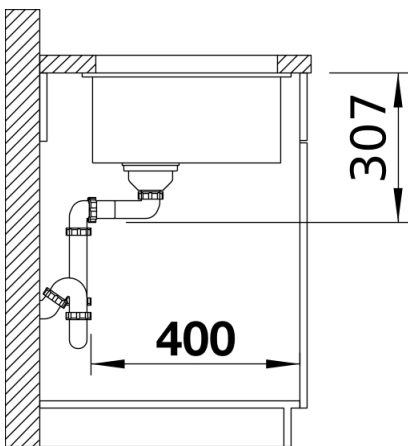
Top view



Cut-out



Front view



Side view